

SINCE 1932

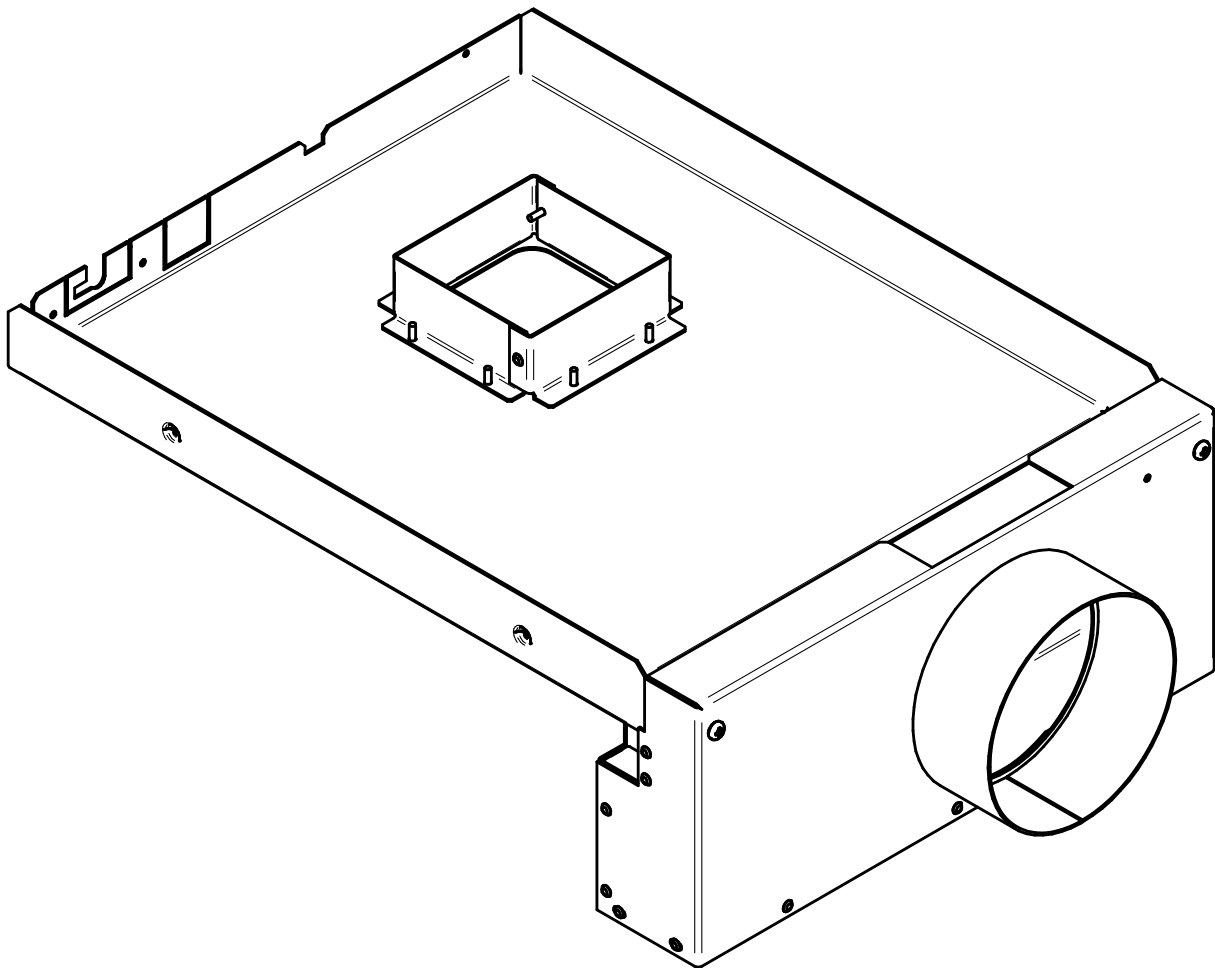
## Fresh Air Kit for Wood Stove on Legs

---

# WA2L

---

## Installation Instructions

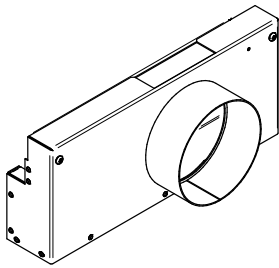




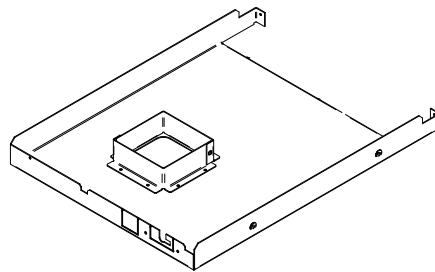
# 1. Application

This fresh air intake kit is designed to be installed on a wood stove with legs. The air intake grille must be installed outside the building.

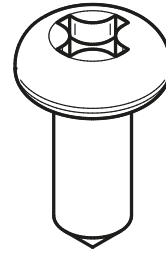
# 2. Kit Contents



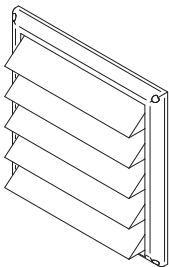
Adapter 5"  
**(A)** 1x



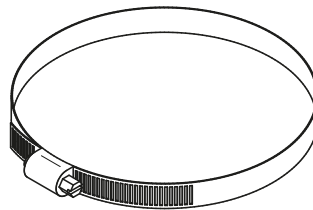
Air intake adapter tray  
**(B)** 1x



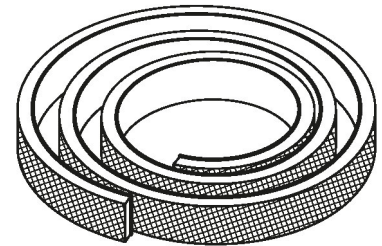
Black metal screw #10 x 1/2"  
**(C)** 12x



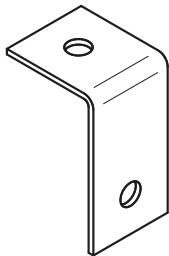
Air Intake grille 5"  
**(D)** 1x



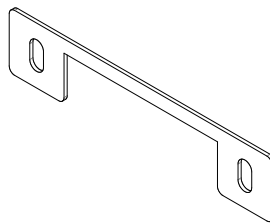
Clamp  
**(E)** 2x



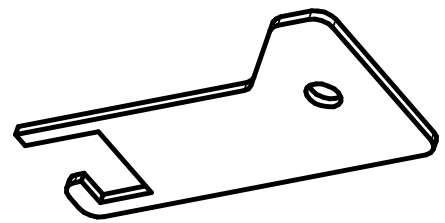
Self-adhesive gasket  
**(F)** 33" long



Bracket  
**(G)** 1x

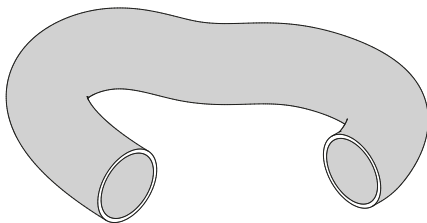


Air control guide  
**(H)** 1x

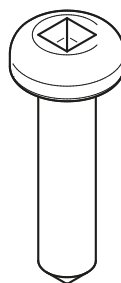


Leg retainers  
**(L)** 4x

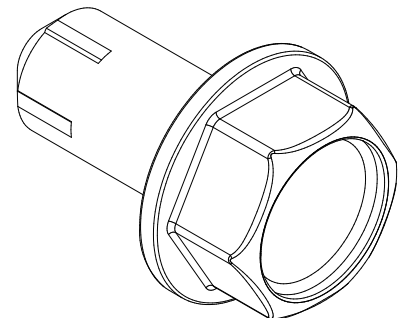
# 3. Other Required Parts (not included)



HVAC flexible insulated pipe in accordance with ULC S110 or UL 181, class 0 or class 1.  
**(J)** 1x

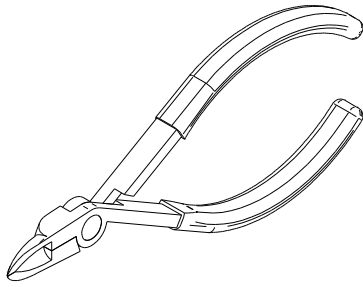


Screws for the air intake grille  
**(K)** 4x  
*(Image is for reference only)*

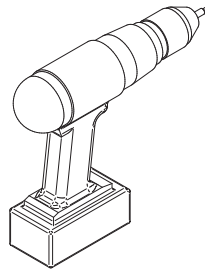


**MOBILE HOME ONLY**  
Screws for leg retainers  
**(M)** 4x  
*(Image is for reference only)*

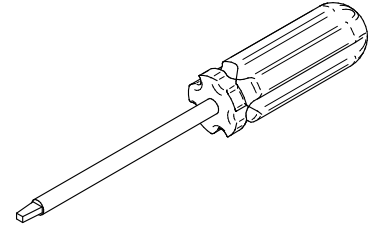
## 4. Required Tools



Pliers



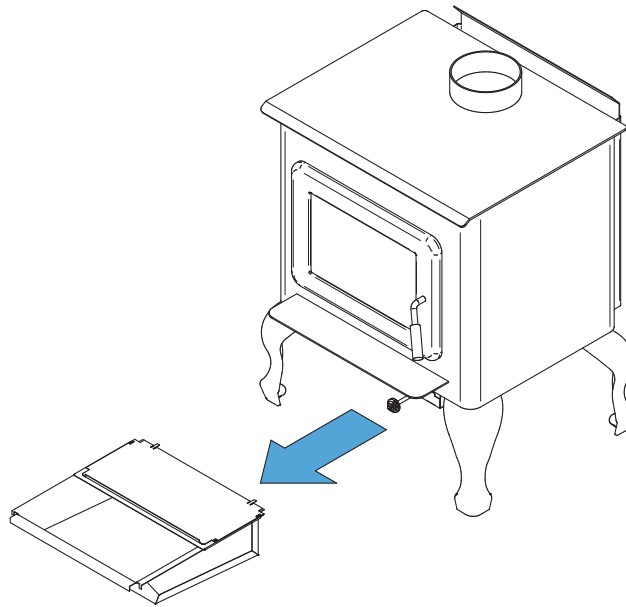
Driver



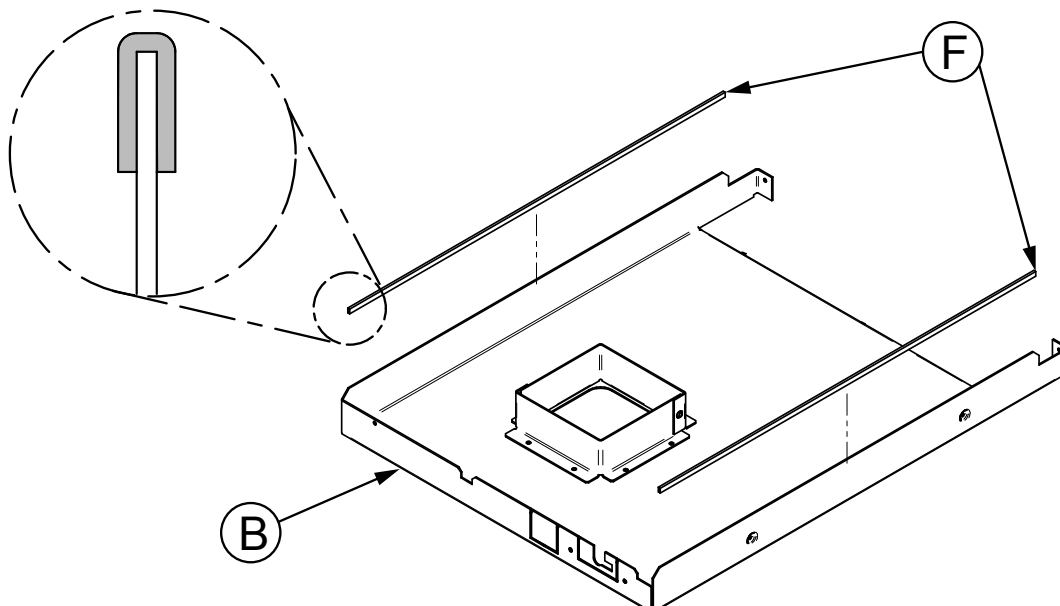
Phillips screwdriver

## 5. Installation Instructions

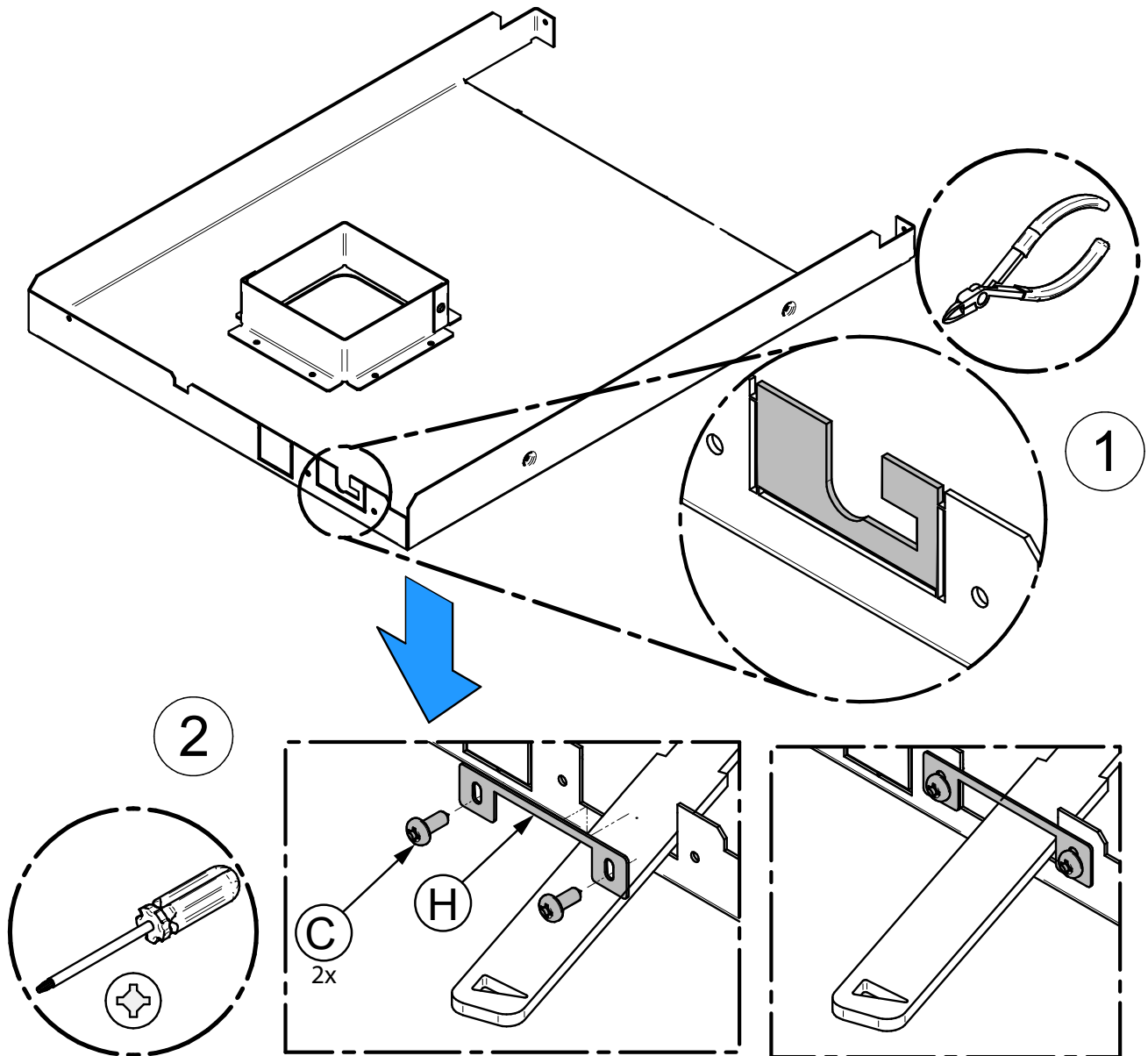
1. Remove the ash drawer.



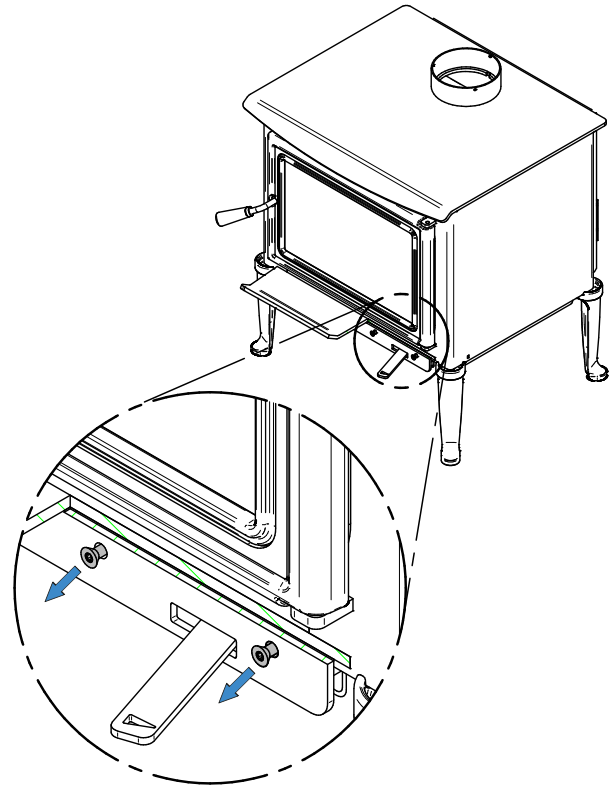
2. Cut the self-adhesive gasket **(F)** in 2 lengths of 16 ½" (420 mm) and install on the edges of the air intake adapter tray **(B)**.



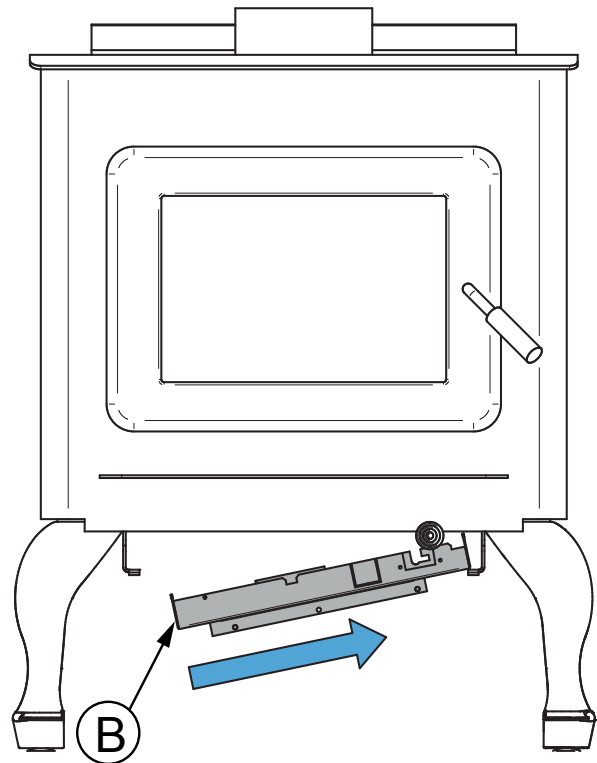
3. Remove the micro-jointed rectangular piece with a pair of pliers then screw the air control guide (H) with the two screws provided (C).



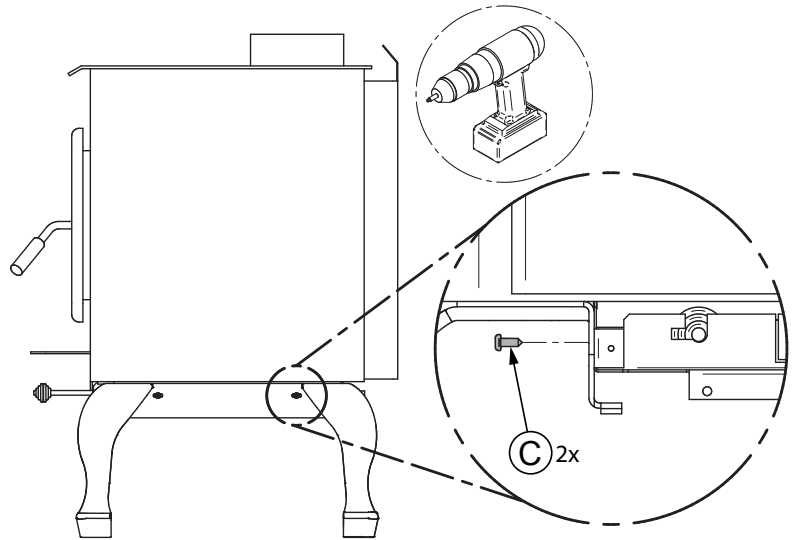
4. Unscrew the screws holding the ash shelf a few turns to facilitate the installation of the fresh air intake adapter tray.



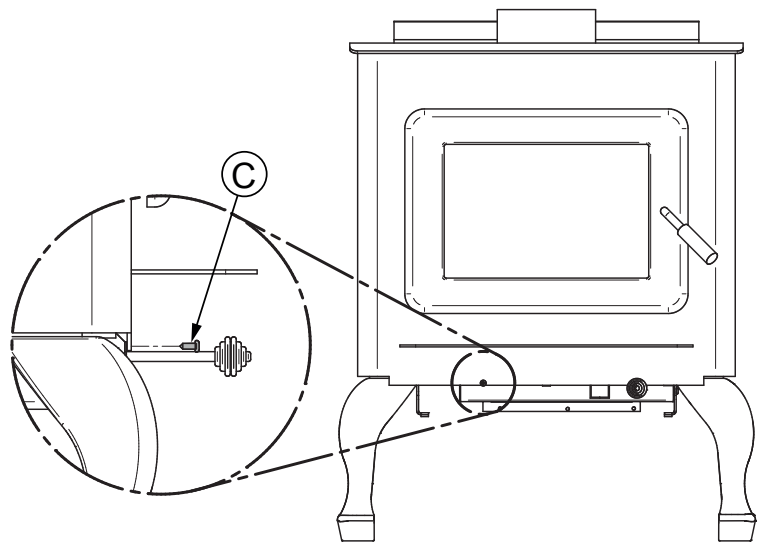
5. Insert the right side of the fresh air intake adapter tray (**B**) under the appliance and above the ash drawer upright bracket by tilting it to the side and lift the other side of the tray.
6. Press the tray against the bottom of the firebox and the right drawer bracket while aligning the square hole of the pan with the ash dump opening of the stove.



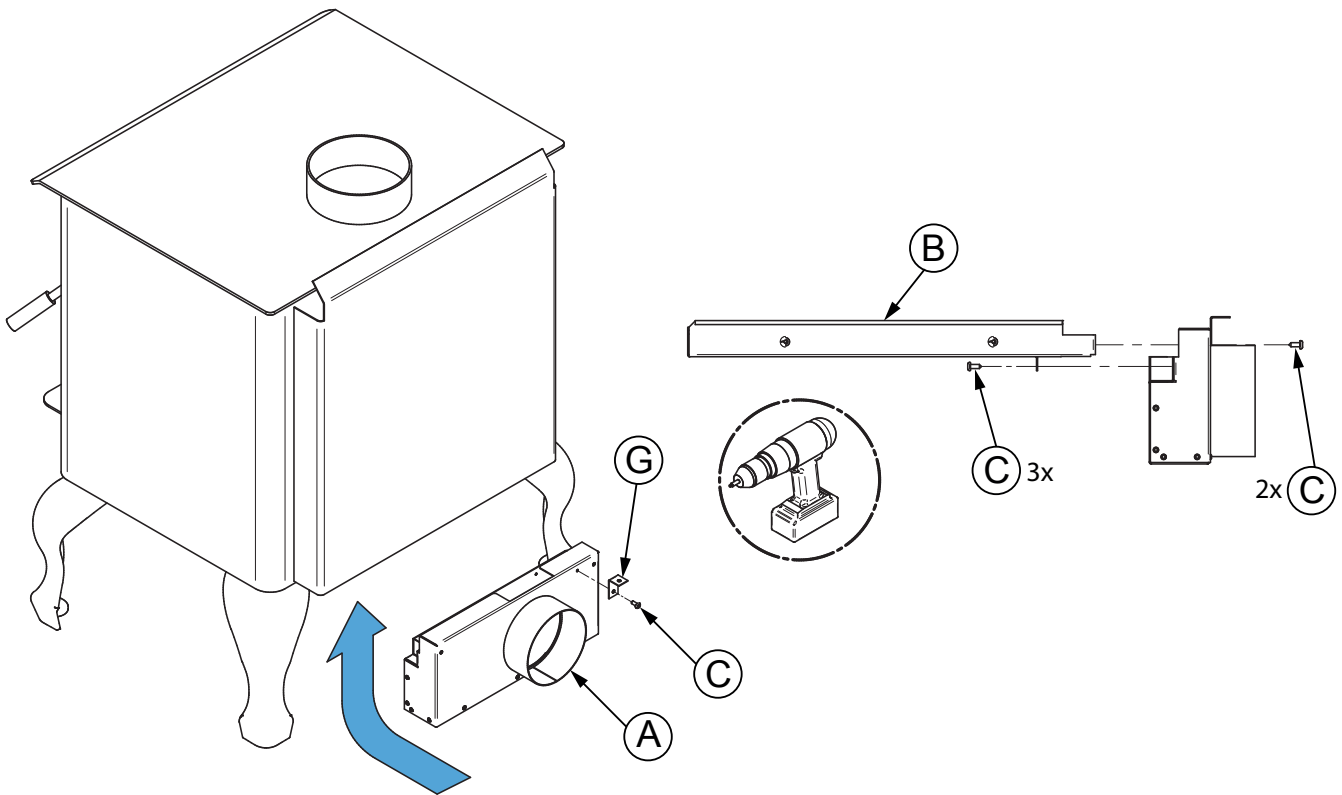
7. Secure the tray to the drawer supports with 2 screws **(C)**.



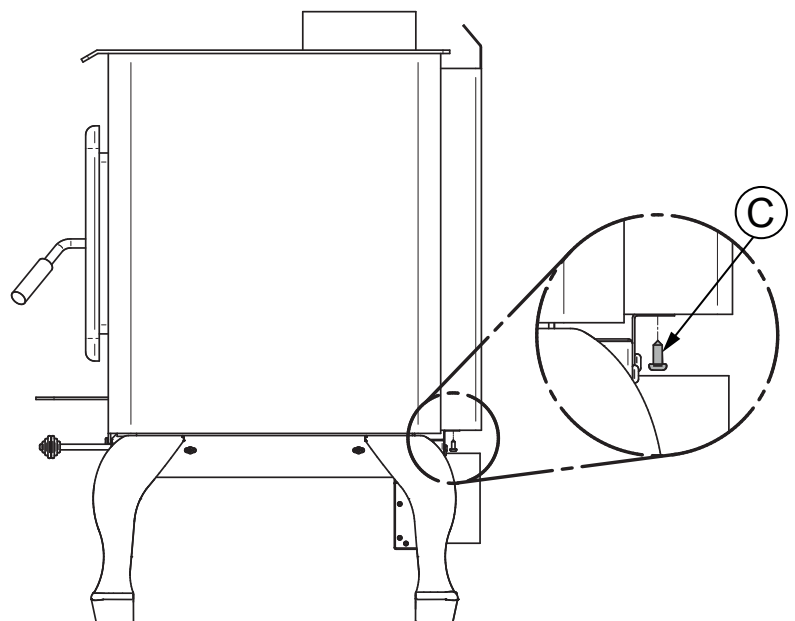
8. Secure the tray to the front of the appliance with 1 screw **(C)**.



9. Secure the bracket **(G)** to the 5" adapter **(A)** with a screw **(C)**. Attach the 5" adapter **(B)** to the previously installed tray **(B)** with 5 screws **(C)** using a driver.

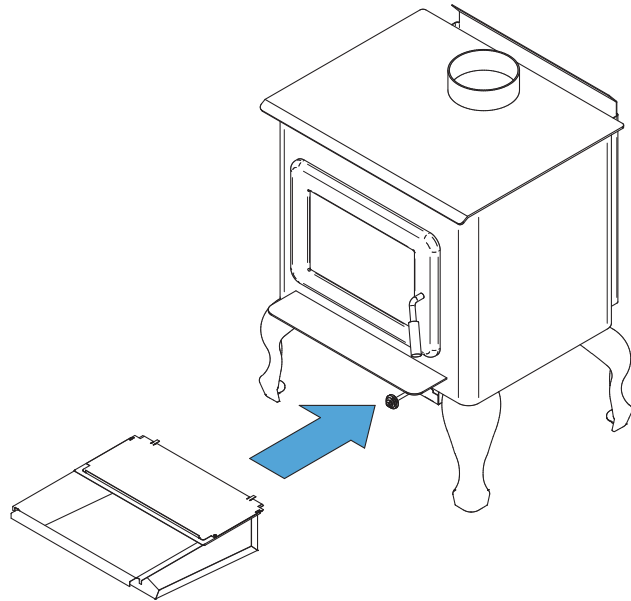


10. Complete the assembly by fixing the bracket under the back plate of the stove with a screw **(C)**.

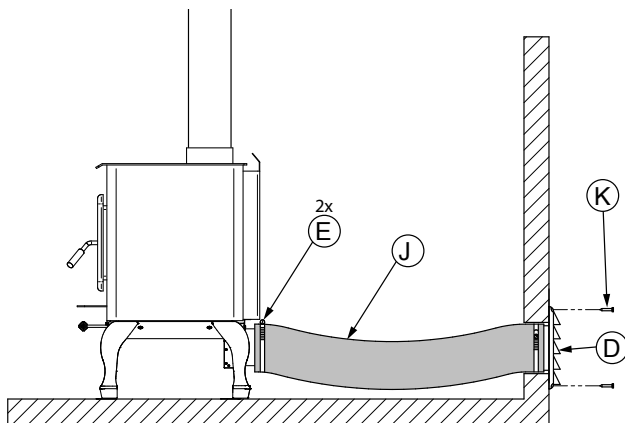




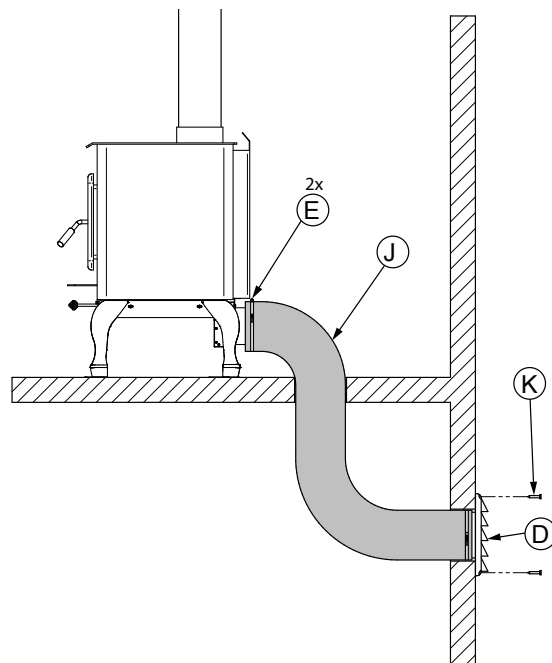
11. Screw the ash shelf completely if it was unscrewed at step 4 and put back the ash drawer under the appliance.



12. Make a 6" x 6" (150 mm x 150 mm) opening on the outside wall behind the unit. Install a 5" insulated flexible duct (**J**) to the air intake adapter using a clamp (**E**). Attach the other end of the flexible duct to the air intake grille (**D**) with another clamp. Secure the air intake grille with 4 screws (**K**), not supplied in this kit.



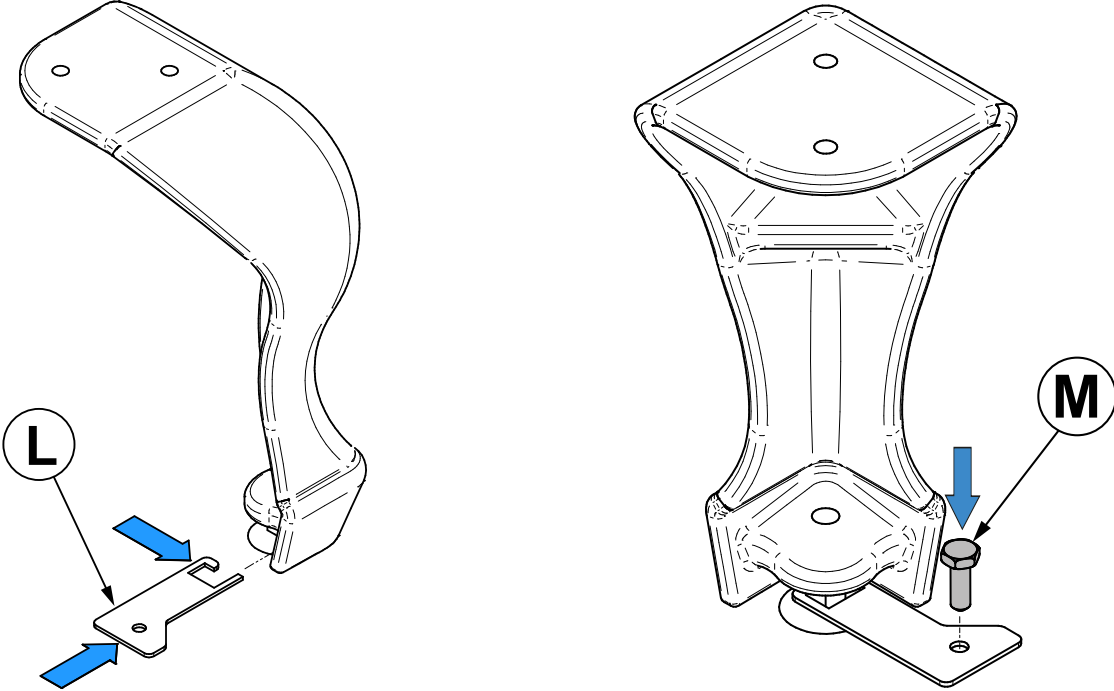
Example 1



Example 2

*The fresh air intake assembly and duct should be inspected periodically to ensure that it is not obstructed.*

13. For a mobile home installation, use the leg retainers (L) to secure the stove to the floor. Use the appropriate hardware for the flooring (M).







Empire Comfort Systems, Inc.  
918 Freeburg Avenue  
Belleville, IL 62220  
618 233.7420  
[www.empirecomfort.com](http://www.empirecomfort.com)