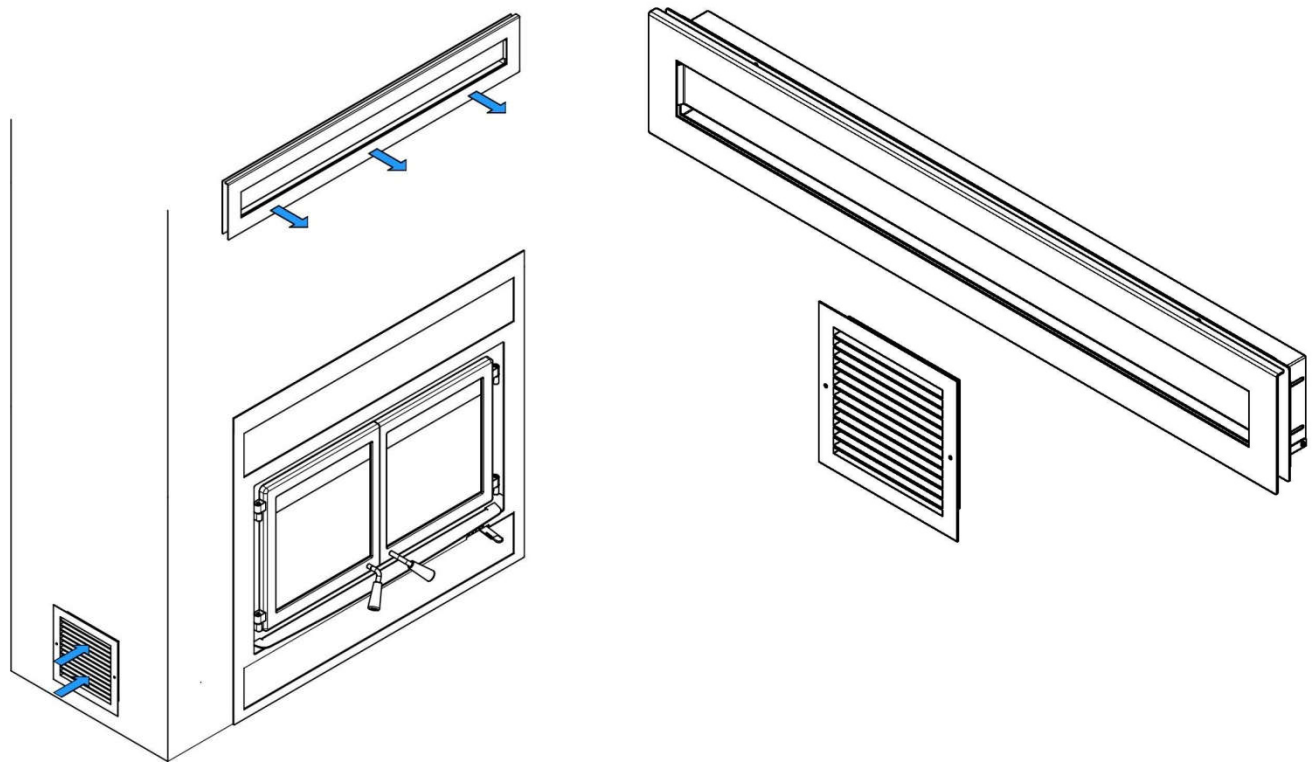


SINCE 1932

WARM AIR CIRCULATION GRILL 4300 (WB2WG)

INSTALLATION INSTRUCTIONS



This manual is available for free download on the manufacturer's web site. It is a copyrighted document. Resale is strictly prohibited. The manufacturer may update this manual from time to time and cannot be responsible for problems, injuries, or damages arising out of the use of information contained in any manual obtained from unauthorized sources.

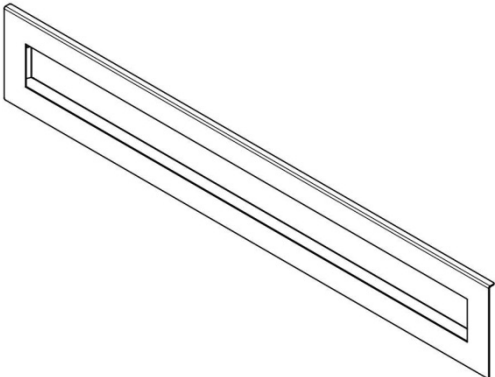
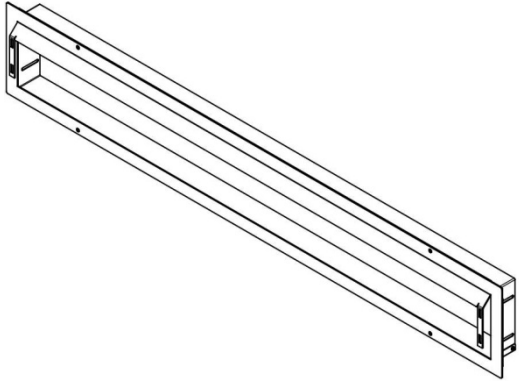
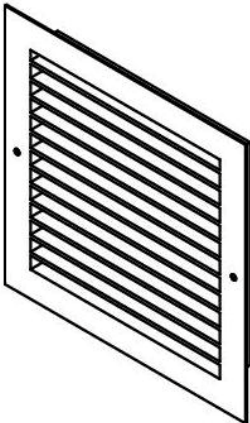
1. UTILIZATION

The warm air circulation grill dissipates the stored heat from the fireplace enclosure into the room where the fireplace is located.

WARNING

- **DO NOT MODIFY THE FIREPLACE OR THE CIRCULATION GRILL.**
- **DO NOT INSTALL DUCTS BETWEEN THE FIREPLACE AND THE CIRCULATION GRILL.**

2. BOX CONTENTS

1X 	1X 
<i>Louvered face (A)</i>	<i>Grill support (B)</i>
1X 	
<i>Grill (C)</i>	

3. POSITIONING THE GRILL

3.1. Grill support

Position the grill support **(B)** above the fireplace as shown in Figure 8 below.

WARNING

The grill support **(B)** can be installed anywhere in the **(X)** area. For an optimal air circulation, install the grill support as far as possible from the fireplace while respecting the 12" (305 mm) clearance from the ceiling.

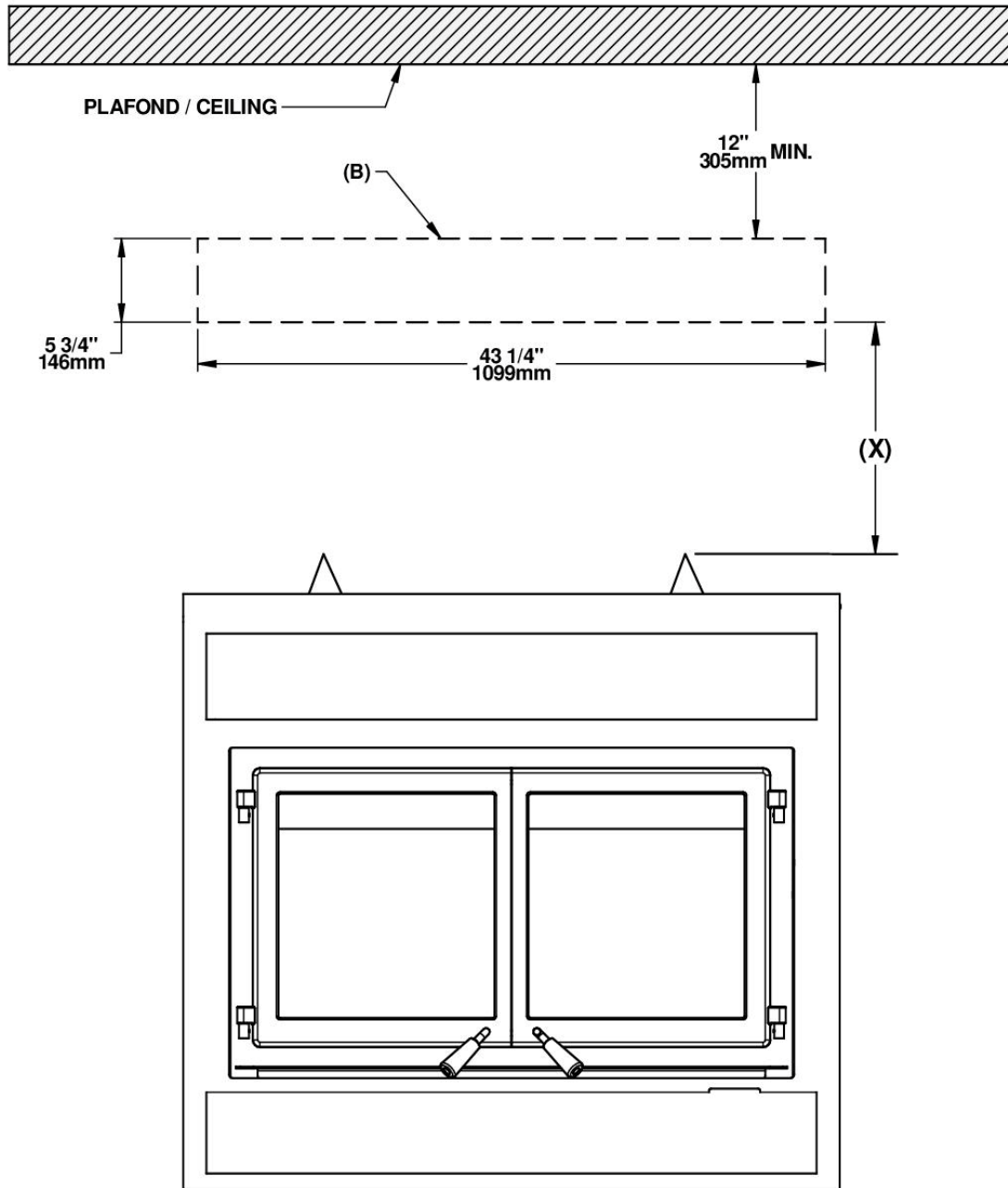


Figure 1 : Grill support location

3.2. Grill

For an optimal air circulation, position the grill **(C)** on one of the fireplace enclosure's side. The grill can also be installed on the enclosure's front wall, but the air circulation will be considerably reduced.

NOTE

It is not mandatory to install the grill **(C)**, but it is highly recommended.

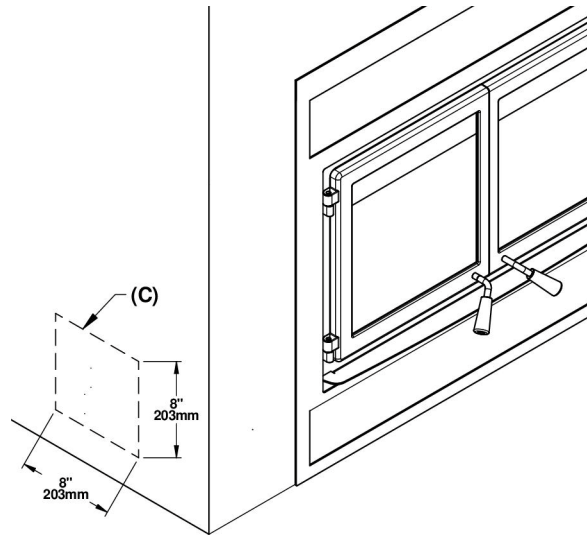


Figure 2 : Grill location

4. INSTALLATION INSTRUCTIONS

4.1. Grill support (B)

If the fireplace's facing material thickness is 1" or less, it is recommended installing the grill support using the four slotted holes located on the side of the grill support.

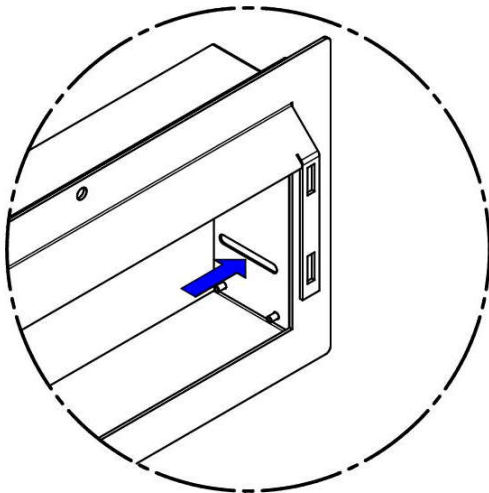


Figure 3 : Grill support – Slotted holes

If the fireplace's facing material thickness is more than 1", it is recommended installing the grill support using the four holes on the grill support facing.

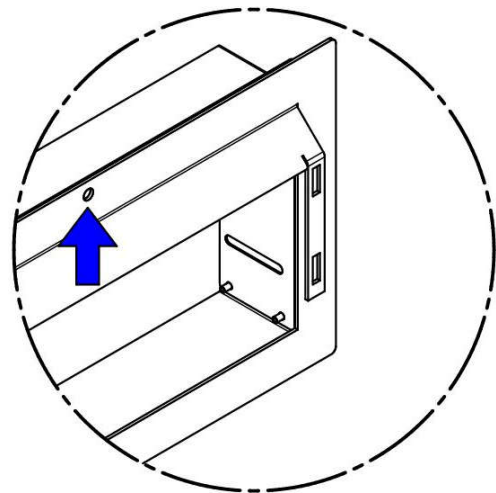


Figure 4 : Grill support – Holes in the facing

Installation with slotted holes

1. Build a non-combustible frame using the dimensions shown on Figure 1.
2. Secure the grill support on the frame using 4 metal screw #10 with a self-drilling point (not included)

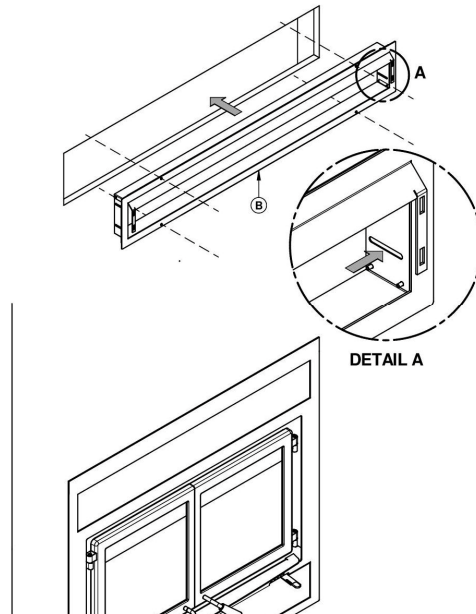


Figure 5 : Installation with slotted holes

Installation with holes in the facing

1. Position the grill support at the desired location and pre-drill the fireplace facing.
2. Secure the grill support (**B**) on the facing using four concrete screws 1/4" (not included).

Note : The concrete drill bit necessary to drill the facing is usually provided with concrete screws.

4.2. Grill (C)

1. Drill holes in the finishing material following dimensions on Figure 2.
2. Secure the grill (**C**) with 2 appropriate #10 screws depending on the finishing material used (not included)

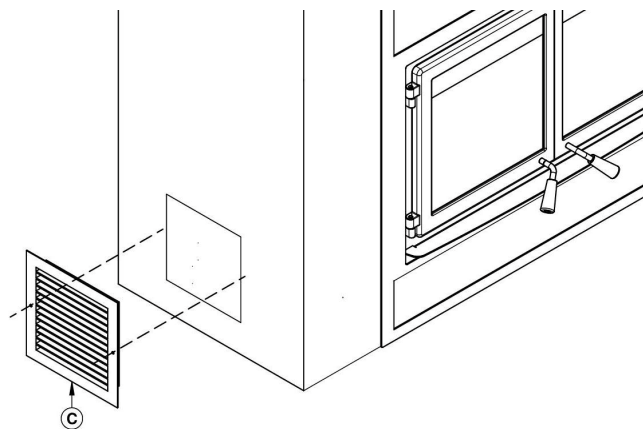


Figure 6 : Grill installation

4.3. Louvered face

Hook the louvered face (A) on the grill support (B).

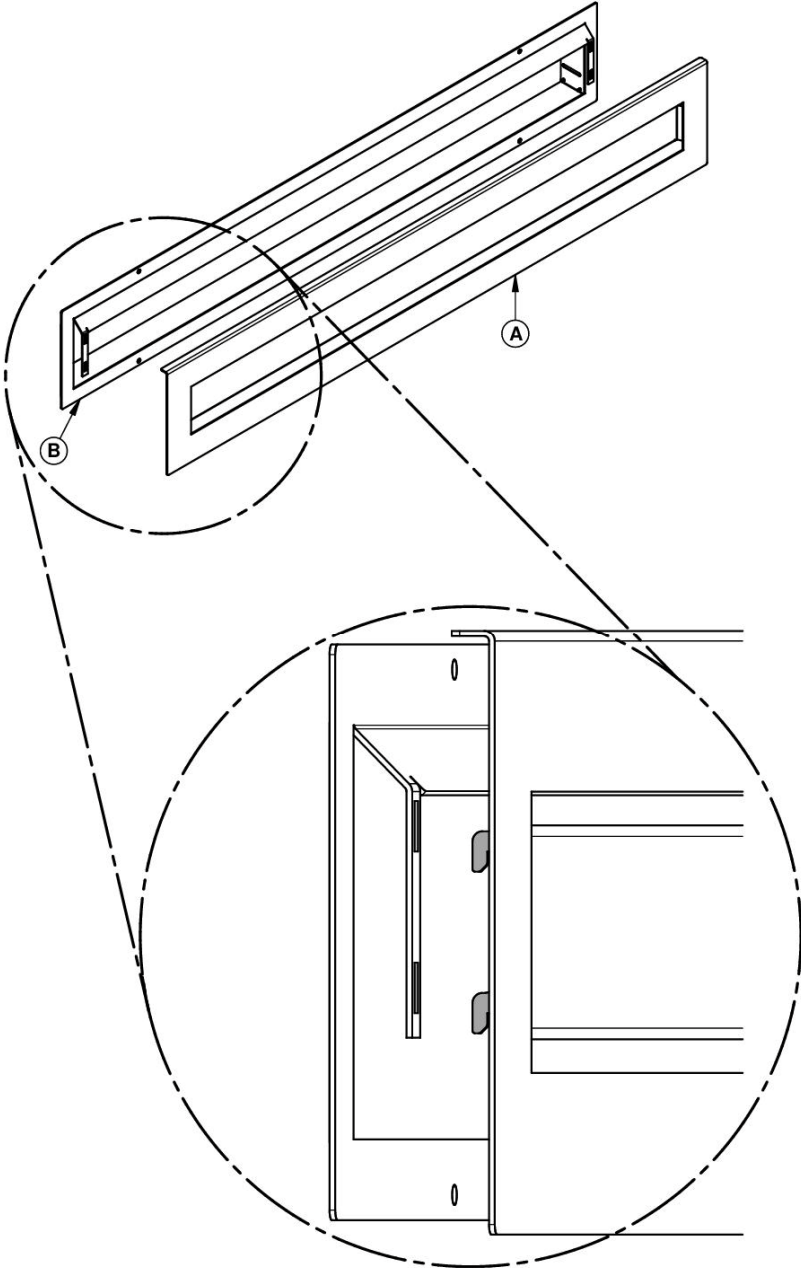


Figure 7 : Installation of the louvered face



Empire Comfort Systems, Inc.
918 Freeburg Avenue
Belleville, IL 62220
618 233.7420
www.empirecomfort.com